

165 CA1

6'' Access 1 (Aftersales Dpt ref: 6 CA1)

- Adjustable aluminum inverted dome tweeter
- All weather woven glass fiber cone
- Voice coil cooling system



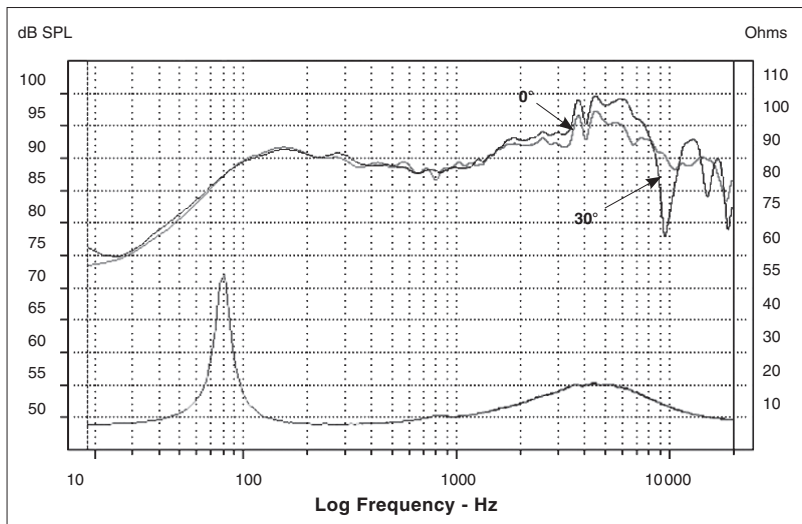
Specifications

Nominal power	60 W	
Maximum power	120 W	
Sensitivity	92 dB	
Cone	Braided glass fiber®	
Surround	Butyl	
Nom. impedance	4 ohms	
DC resistance	3.5 ohms	
VC diameter	25 mm	
VC height	11 mm	
Former	Kapton®	
Layers	2	
Wire	Copper	
Inductance		
Xmax	2.5 mm	1/16 in
Magnet d x h	85 x 15 mm	3-1/3x9/16 in
Magnet weight	0.35 kg	0.66 lb
Flux density	1.3 T	
Gap height	5.5 mm	3/16 in
Net weight	0.85 kg	1.87 lb

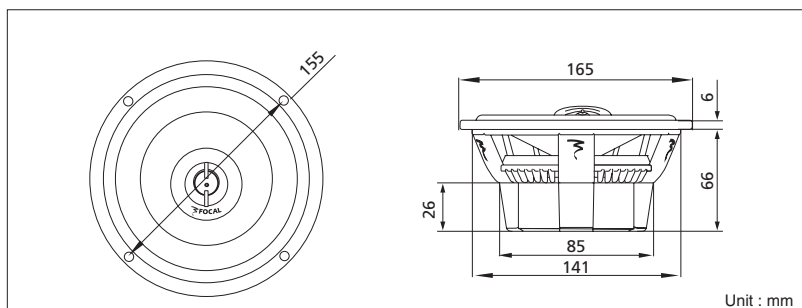
Parameters

Fs	79.28 Hz	
Vas	7.44 l	
Qts	0.92	
Qes	1.04	
Qms	7.94	
Re	3.54 ohms	
Sd	137 cm ²	
Cas	6.04 E-08 m ⁵ /N	
Mas	66.75 kg/m ⁴	
Ras	4187.53 ohms.ac	
Cms	3.22E-04 m/N	
Mms	12.5 g	
Rms	0.784 kg/s	
Ces	596.52 mF	
Les	6.76 mH	
Res	26.72 ohms	
Bl	4.58 N/A	
SPL	87.93 dB/W/m	

Frequency Response / Impedance



Mechanical Drawing



©Focal-JMlab - AS050926/2

Focal® is a trademark of Focal-JMlab® - BP 374 - 108, rue de l'Avenir - 42353 La Talaudière cedex France - Tél. (33) 04 77 43 57 00 - Fax (33) 04 77 37 65 87 - www.focal-fr.com - SCAS051018/2

Suggested application

Load	V (l)	Fb (Hz)	F-3 (Hz)	Ql
Sealed	30	-	68	1.02
Sealed	-	-	-	-
Sealed	-	-	-	-

